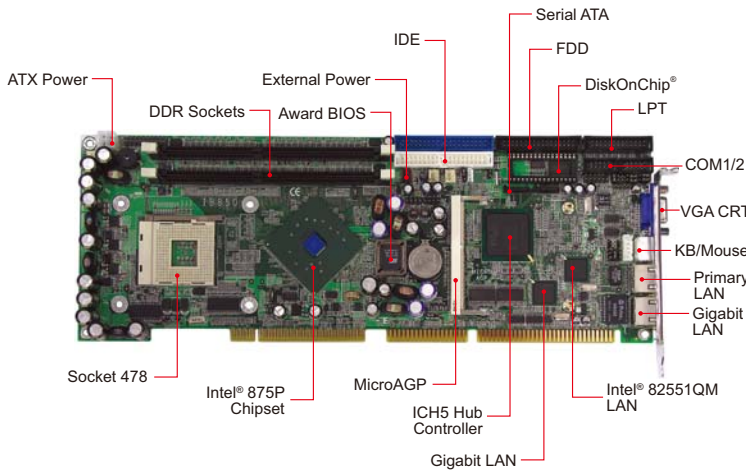


IB850



Features

- Supports Pentium® 4 / Celeron® processors
Up to 3.2GHz, 800MHz FSB
- 2x DDR DIMM, Max. 2GB
- MicroAGP socket supports AMD M9/M10 VGA, 64MB, LVDS/TV-out/TMDS cards
- Onboard 10/100BaseT, Optional Gigabit LAN
- 4x USB 2.0, 2x SATA, PCI to ISA bridge
- Watchdog timer, DiskOnChip®, ISA High Drive



System

CPU	Socket 478 for Pentium® 4 / Celeron®, up to 3.2GHz
System Memory	2x DDR DIMM, Max. 2GB
System Chipset	Intel® 875P + ICH5, 400/533/800MHz FSB
BIOS	Award
Watchdog Timer	256 levels
SSD	DiskOnChip®
H/W Monitor	Yes
Expansion Slot	1x MicroAGP socket

Graphics

VGA Controller	Optional AMD Mobility M9/M10 (IBA110)
VGA Memory	64MB DDR embedded (AMD M9/M10)
LCD Interface	Optional via MicroAGP card, 18/24-bit LVDS (dual channel)

LAN

LAN Controller	Intel® 82551 10/100BaseT LAN Optional Intel® 82547EI Gigabit LAN
Connector	RJ-45 on board

Multi I/O

I/O Chipset	Winbond W83627HF 2x IDE (UDMA33/66/100), 1x FDD, 1x KB, 1x Mouse, 1x RS-232, 1x RS-232/422/485, 1x LPT, 2x SATA
USB	Pin header for 4 ports (USB 2.0)
Audio	Built-in audio + AC97 codec
Others	IrDA

Mechanical and Environmental

Dimensions	338mm x 122mm (13.31" x 4.8")
Max. Power Requirement	Pentium® 4 3GHz w/ 256MB DDR +5V: 5.17A +12V: 6.17A
Operating Temperature	0°C~60°C (32°F~140°F)
Storage Temperature	-20°C~80°C (-4°F~176°F)
Relative Humidity	10%~90% (non-condensing)

Ordering Information

IB850-R	Socket 478 875P Full-Size CPU card w/o VGA and w/ LAN
IB850F-R	Socket 478 875P Full-Size CPU card w/o VGA, w/ 10/100 and Gigabit LAN
IBA110-64A	MicroAGP card w/ AMD M10 64MB VGA for CRT/LVDS/TV-out or 2 nd CRT, AGP 8X
IBA110-64	MicroAGP card w/ AMD M9 64MB VGA for CRT/LVDS/TV-out or 2 nd CRT, AGP 4X
USB2K-4	USB cable, USB 2.0 compliant

Remarks:

* Specifications are subject to change without prior notice.

1 Motherboards
2 Disk-Size SBCs
3 CPU Modules
4 PC/104 Plus
5 CPU Cards
6 AGP & MicroAGP
7 Embedded Systems
8 Network Security/Appliance